

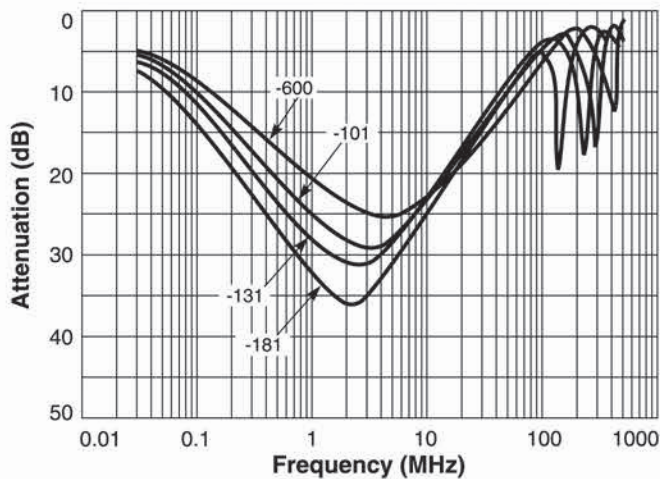
Common Mode Chokes YCBU10 Series

Part number	Impedance max (kOhms)	Frequency range @ 75% of impedance max	DCR ¹ (Ohms)	Current max (Aac)	Inductance ² L1, L2 min (mH)	Inductance difference L1 - L2 max (μH)
YCBU10-1811R2BL	3.9 @ 1.8 MHz	1000–3200 kHz	0.20	1.20	0.18	30
YCBU10-1311R6BL	2.2 @ 2.2 MHz	800–2000 kHz	0.12	1.60	0.13	20
YCBU10-1012R2BL	1.6 @ 3.1 MHz	1300–8900 kHz	0.08	2.20	0.10	15
YCBU10-6003R0BL	1.0 @ 3.0 MHz	800–10000 kHz	0.04	3.00	0.06	10

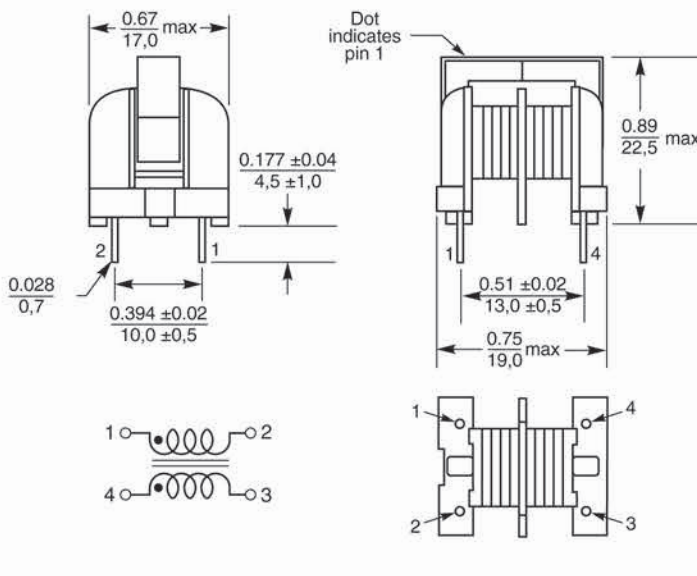
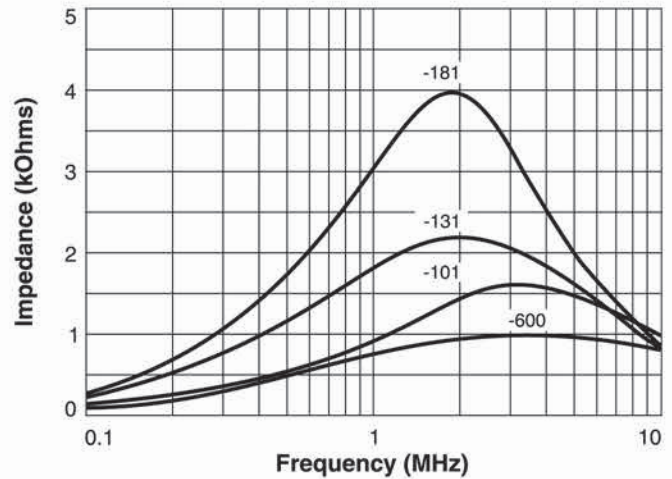
1. DCR is per winding
2. Inductance tested at 1 kHz, 1 Vrms, 0 Adc on an Agilent/HP 4284A LCR-meter or equivalent.
3. 1000Vrms typical isolation between windings.
4. Electrical specifications at 25°C.

1. Inductance tested at 1 kHz, 1 Vrms, 0 Adc on an Agilent/HP 4284A LCR-meter or equivalent.
2. 1000 Vrms typical isolation between windings.
3. Electrical specifications at 25° C.
4. Ambient temperature - 40° C to +125° C
5. Storage temperature Component: - 40° C to +125° C. Tray packaging: - 40° C to +80° C
6. Moisture Sensitivity Level (MSL)1(unlimited floor life at <30° C /85% relative humidity)

Typical Attenuation



Typical Impedance



Recommended Board Layout

