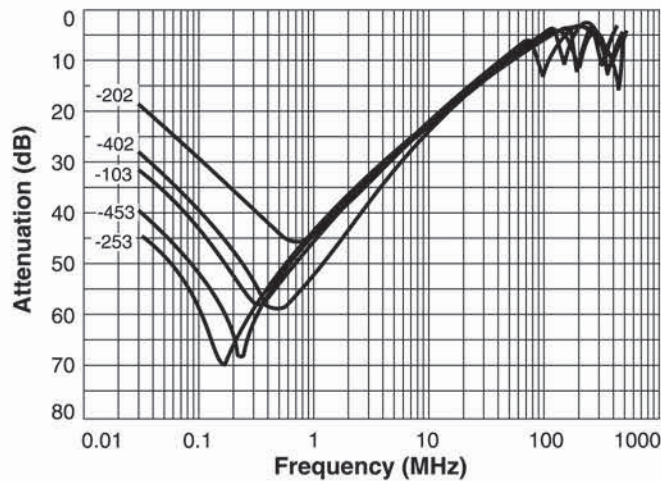


# Common Mode Chokes YCBU16 Series

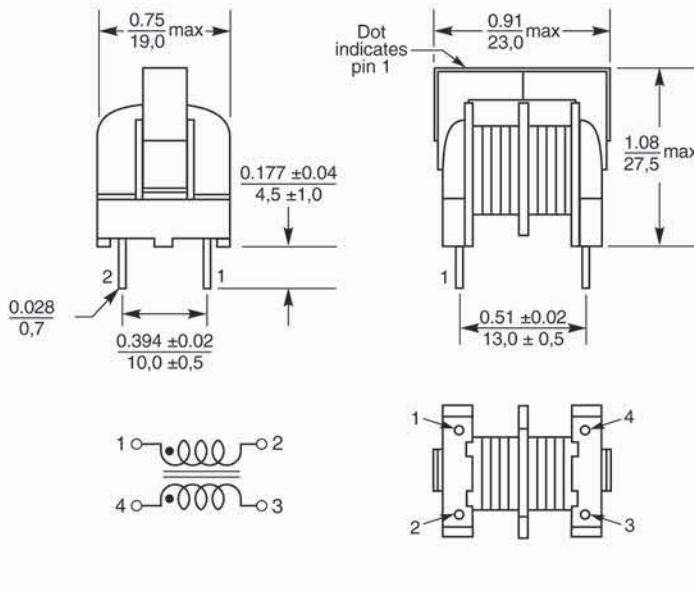
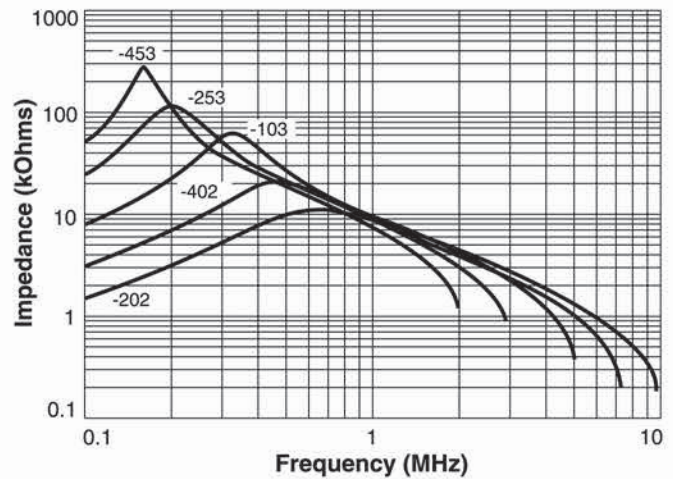
Part number	Impedance max (kOhms)	Frequency range @ 75% of impedance max	DCR <sup>1</sup> (Ohms)	Current max (Aac)	Inductance <sup>2</sup> L1, L2 min (mH)	Inductance difference L1 - L2 max (μH)
YCBU16-4530R5BL	285 @ 150 kHz	140 - 160 kHz	2.3	0.50	45.0	900
YCBU16-2530R7BL	120 @ 200 kHz	160 - 220 kHz	1.3	0.70	25.0	500
YCBU16-1031R0BL	60 @ 320 kHz	260 - 390 kHz	0.5	1.00	10.0	200
YCBU16-4021R5BL	20 @ 470 kHz	360 - 600 kHz	0.3	1.50	4.0	80
YCBU16-2022R0BL	11 @ 690 kHz	450 - 900 kHz	0.2	2.00	2.0	50

1. Inductance tested at 1 kHz, 1 Vrms, 0 Aac on an Agilent/HP 4284A LCR-meter or equivalent.
2. 1000 Vrms typical isolation between windings.
3. Electrical specifications at 25° C.
4. Ambient temperature - 40° C to +125° C
5. Storage temperature Component: - 40° C to +125° C. Tray packaging: - 40° C to +80° C
6. Moisture Sensitivity Level (MSL)1 (unlimited floor life at <30° C /85% relative humidity)

## Typical Attenuation



## Typical Impedance



### Recommended Board Layout

