



# THROUGH-HOLE TOROIDAL COMMON MODE CHOKES YCTRF SERIES

## FEATURES:

- 0.3A to 10A ratings
- 0.7mH to 100mH dual chokes
- Excellent Mechanical Strength
- 100KHz to 3MHz common mode resonance
- High Reliability and variant PCB-mount housing
- Low resistance and temperature rise

## COMMON APPLICATIONS:

- DC/DC, AC/DC line noise suppression
- Communication System
- Automotive Systems
- LCD/PDPTelevisions
- Computer Peripheral Equipment It accord with the standards of FCC VCCI CISPR FTZ, etc, eliminating of electromagnetic noise of power and signal circuit.

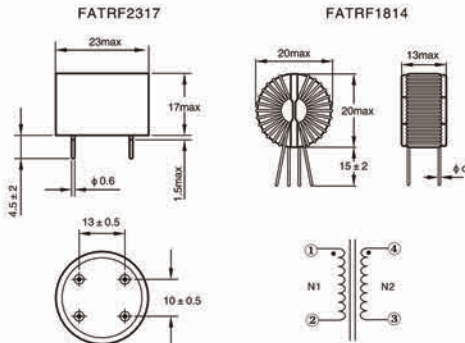
## OPTIONS:

- Bulk packaging is standard
- Custom design available

## ELECTRICAL CHARACTERISTICS

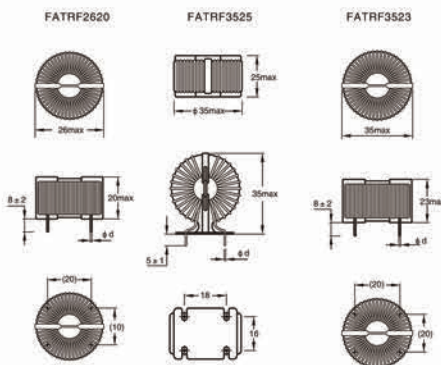
Part Number	Inductance L mH	DCR mΩ Max	IDC Max A	Φd (mm)
YCTRF1814-402Y	4.0	200	1.5	0.51
YCTRF1814-202Y	2.2	100	1.5	0.51
YCTRF1814-102Y	1	120	1.5	0.51
YCTRF1814-102Y	1	75	1	0.41
YCTRF2317-102Y	1.0	120	2.5	0.6
YCTRF2317-801Y	0.8	120	2.5	0.6
YCTRF2317-601Y	0.6	110	2.5	0.6
YCTRF2317-401Y	0.4	100	2.5	0.6
YCTRF2317-201Y	0.2	80	2.5	0.6
YCTRF2620-602Y	6.0	160	1.5	0.51
YCTRF2620-452Y	4.5	150	2	0.53
YCTRF2620-232Y	2.3	100	3	0.69
YCTRF2620-202Y	2	50	4	0.75
YCTRF2620-102Y	1.2	60	5	0.8
YCTRF2620-102Y	1	25	6	0.9
YCTRF2620-601Y	0.6	10	9	1.0
YCTRF2620-301Y	0.3	8	10	1.2
YCTRF3525-303Y	30	220	3.0	0.8
YCTRF3525-143Y	14	220	3.5	0.8
YCTRF3525-103Y	10	180	3.5	0.8
YCTRF3525-802Y	8	110	3.5	0.8
YCTRF3525-532Y	5.3	100	4.5	0.8
YCTRF3525-452Y	4.5	50	4	1.0
YCTRF3525-402Y	4	40	8	1.1
YCTRF3525-302Y	3	80	6	0.9
YCTRF3525-232Y	2.3	50	5	0.8
YCTRF3525-102Y	1	20	10	1.3
YCTRF3525-701Y	0.7	8	12	1.5
YCTRF3525-201Y	0.2	6	18	1.8
YCTRF3523-852Y	8.5	110	3	0.8
YCTRF3523-702Y	5	90	5	0.8
YCTRF3523-502Y	2.3	50	3.3	0.8
YCTRF3523-402Y	2	22	6.5	1.0
YCTRF3523-302Y	1.2	21	10	1.3
YCTRF3523-232Y	0.5	5	18	1.8
YCTRF3523-202Y	10	280	2	0.53
YCTRF3523-122Y	7	230	2.5	0.60
YCTRF3523-501Y	3	100	4	0.70

## TECHNICAL INFORMATION



- Inductance tolerance in +50% -30%
- Max operating voltage:250V at 40°C
- IDC Max: rating AC/DC current A @40°C
- Hi-Pot 2500Vac winding to winding 3S.
- Inductance Testing: 10KHz 0.1V HP4284A
- RDC:QuadTech 1880 Milliohmeter
- Surge current Max 10ms: 20X IDC
- Operating temperature: -40°C to +105°C
- Storage Temperature: -40°C to +105°C
- Resistance to soldering heat:260°C for 10 seconds
- Marking: Part number and date code
- Note:All specifications subject to change without notice.

## PHYSICAL CHARACTERISTICS



DIMENSIONS IN:mm



# THROUGH-HOLE TOROIDAL COMMON MODE CHOKES YCTRF SERIES

## FEATURES:

- 0.3A to 10A ratings
- 0.7mH to 100mH dual chokes
- Excellent Mechanical Strength
- 100KHz to 3MHz common mode resonance
- High Reliability and variant PCB-mount housing
- Low resistance and temperature rise

## COMMON APPLICATIONS:

- DC/DC, AC/DC line noise suppression
- Communication System
- Automotive Systems
- LCD/PDPTelevisions
- Computer Peripheral Equipment It accord with the standards of FCC VCCI CISPR FTZ, etc, eliminating of electromagnetic noise of power and signal circuit.

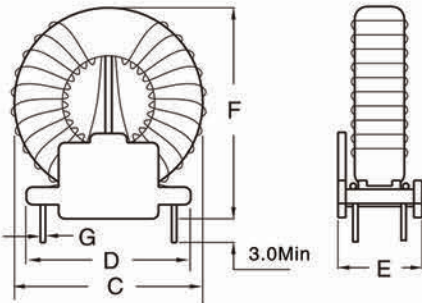
## OPTIONS:

- Bulk packaging is standard
- Custom design available

## ELECTRICAL CHARACTERISTICS

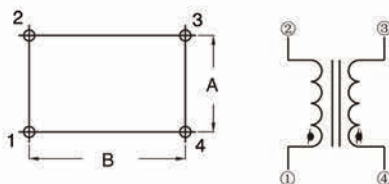
Part Number	Inductance (mH Min.)	RATED RMS Current Amps	DCR each winding (Ohms Max)	Leakage (μH) Type
YCTRF3518-163Y	16.0	1.5	0.320	180
YCTRF3518-103Y	10.0	2.2	0.240	130
YCTRF3518-802Y	8.0	2.5	0.120	90
YCTRF3518-402Y	4.0	3.5	0.040	45
YCTRF3518-302Y	3.0	6.0	0.030	35
YCTRF3518-202Y	2.0	9.0	0.020	25
YCTRF3518-102Y	1.0	15.0	0.010	12
YCTRF3622-163Y	16.0	2.2	0.40	180
YCTRF3622-103Y	10.0	3.0	0.35	130
YCTRF3622-802Y	8.0	3.5	0.143	85
YCTRF3622-402Y	4.0	5.4	0.105	45
YCTRF3622-302Y	3.0	6.5	0.054	35
YCTRF3622-202Y	2.0	8.7	0.020	25
YCTRF3622-122Y	1.2	15	0.010	12
YCTRF4525-563Y	56.0	1.8	1.0	550
YCTRF4525-333Y	33.0	2.0	0.730	300
YCTRF4525-223Y	22.0	3.2	0.352	280
YCTRF4525-153Y	15.0	4.2	0.132	150
YCTRF4525-123Y	12.0	6.8	0.098	95
YCTRF4525-502Y	5.0	12	0.035	50
YCTRF4525-302Y	3.0	15	0.009	20
YCTRF5230-124Y	120.0	1.5	1.15	900
YCTRF5230-723Y	72.0	2.6	0.50	600
YCTRF5230-333Y	33.0	4.2	0.124	450
YCTRF5230-223Y	22.0	6.0	0.117	180
YCTRF5230-153Y	15.0	9.0	0.060	180
YCTRF5230-103Y	10.0	15	0.033	120
YCTRF5230-602Y	6.0	18	0.028	100

## TECHNICAL INFORMATION



- Inductance tolerance: in +50% -30%
  - Max operating voltage: 250V at 40°C
  - IDC Max: rating AC/DC current A @40°C
  - Hi-Pot 2500Vac winding to winding 3S.
  - Inductance Testing: 10KHz 0.1V HP4284A
  - RDC: QuadTech 1880 Milliohmeter
  - Surge current Max 10ms: 20X IDC
  - Operating temperature: -40°C to +105°C
  - Storage Temperature: -40°C to +105°C
  - Resistance to soldering heat: 260°C for 10 seconds
  - Marking: Part number and date code
- Note: All specifications subject to change without notice.

## PHYSICAL CHARACTERISTICS



DIMENSIONS IN: mm

Part number	A	B	C	D	E	F	G
YCTRF3518	10.16	20.32	34.3	25.4	17.78	31.52	1.2
YCTRF3622	15.24	22.86	36.83	27.94	22.86	33.5	1.2
YCTRF4525	17.78	30.48	44.45	35.56	25.4	44.7	1.2
YCTRF5230	22.86	38.1	52.07	43.18	30.48	58.0	1.2