

VERTICAL/BASE MOUNT TOROIDAL COILS

YCAIGT-10 SERIES

FEATURES:

- High saturation material
- Wide inductance range
- High current capability
- Long term stability
- High reliability
- Low DC resistance

COMMON APPLICATIONS:

- Switching Regulators
- Automotive Systems
- Power Amplifiers
- Power Supplies
- SCR and Triac Controls
- Speaker Crossover Networks
- EMI/RFI suppression
- Filters

OPTIONS:

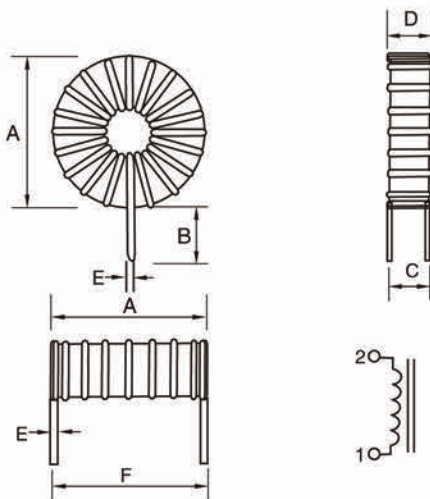
- Packaging :Bulk is standard
- Tolerance:20% is standard, tighter tolerances available
- Mounting:(V)ertical is standard, (H)orizontal available
- Inductance :Optional request available

PHYSICAL CHARACTERISTICS

- Testing: (Equivalent acceptable)
Inductance:Measured at 1kHz 0.1V HP4284A
RDC:QuadTech 1880 Milliohmmer
 - IDC Max:Losers inductance by 10%
 - Temperature range: -55°C to +125°C
-55°C to +85°C at full rated current
 - Mounting:Add(V),(H) as Suffix to Part Number
- Note:All specifications subject to change without notice.

ELECTRICAL CHARACTERISTICS

Part Number	L μH	IDC Max A	RDC Ω Max	Lead Dia	L ±0.75	P Max	N Max	A ±0.10	B ±0.10	C Max	D Typical	E Typical	F Typical
YCAIGT-10-5R0M	5	2.5	.03	.020	.425	.550	250	.340	.580	.640	.290	.110	.25
YCAIGT-10-250M	25	2.5	.04	.020	.425	.550	250	.340	.580	.640	.290	.110	.25
YCAIGT-10-500M	50	2.5	.07	.020	.425	.640	330	.450	.650	.730	.325	.150	.25
YCAIGT-10-101M	100	2.5	.10	.020	.425	.840	340	.450	.830	.940	.415	.150	.25
YCAIGT-10-350M	35	2.5	.04	.025	.425	.640	340	.450	.650	.730	.325	.150	.25
YCAIGT-10-700M	70	3.0	.05	.025	.425	.860	360	.450	.830	.960	.415	.150	.25
YCAIGT-10-14.51M	145	3.0	.09	.025	.425	.970	470	.600	.950	1.060	.475	.225	.25
YCAIGT-10-28.51M	285	3.0	.14	.025	.925	1.210	550	.700	1.250	1.300	.625	.250	.25
YC AIGT-10-451M	450	3.0	.20	.025	.925	1.490	580	-	-	-	-	-	-
YC AIGT-10-101M	100	3.5	.04	.032	.425	.950	500	.600	.950	1.060	.475	.225	.25
YCAIGT-10-16.51M	165	4.0	.07	.032	.925	1.230	560	.700	1.250	1.330	.625	.250	.25
YC AIGT-10-271M	270	4.0	.10	.032	.925	1.530	590	-	-	-	-	-	-
YCAIGT-10-400M	40	4.0	.03	.032	.425	.840	380	.450	.830	.940	.415	.150	.25
YCAIGT-10-101M	100	5.0	.04	.042	.925	1.240	600	.700	1.250	1.370	.625	.250	.25
YCAIGT-10-171M	170	5.0	.05	.042	.925	1.480	600	-	-	-	-	-	-
YCAIGT-10-550M	55	5.0	.02	.042	.425	1.00	510	.600	.950	1.070	.475	.225	.25
YCAIGT-10-950M	95	7.0	.03	.051	.925	1.510	620	-	-	-	-	-	-0
YC AIGT-10-550M-7(A)	55	7.0	.02	.051	.925	1.300	610	.700	1.250	1.440	.625	.250	.25
YCAIGT-10-550M-10(A)	55	10.0	.02	.064	.925	1.540	650	-	-	-	-	-	-
YCAIGT-10-251M	250	10.0	.20	.020	.425	.840	340	.450	.830	.960	.415	.150	.25



Dimensions:Inches

Plase specify(V)for vertical or(H)for horizontal.(--)