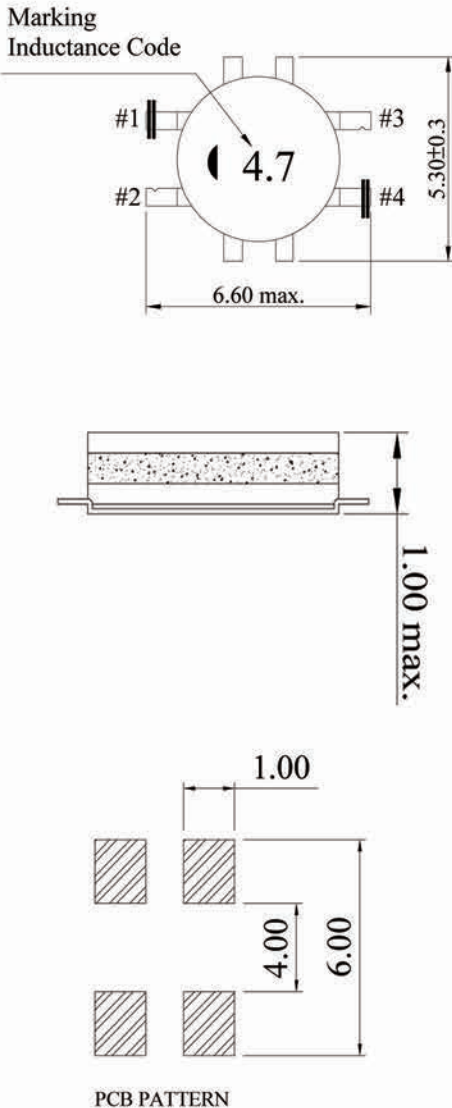




【 YC 4310-SERIES-4P 】

DIMENSIONS & RECOMMENDED



Unit: mm

※ FEATURES

- Applications : DC to DC converters for cellular phone, LCD driver circuit

SELECTION GUIDE FOR STANDARD COILS

SDE Part Number	Inductance (μH)	Tolerance (%)	DC Resistance (Ω) $\pm 20\%$	Inductance Decrease Current (A) Max	Temperature Rise Current (A) Max
YC4310-3R3M-4P	3.3	$\pm 20\%$	0.161	0.86	1.03
YC4310-4R7M-4P	4.7	$\pm 20\%$	0.199	0.78	0.95
YC4310-5R6M-4P	5.6	$\pm 20\%$	0.253	0.68	0.86
YC4310-6R8M-4P	6.8	$\pm 20\%$	0.270	0.65	0.83
YC4310-100M-4P	10.0	$\pm 20\%$	0.409	0.50	0.65
YC4310-150M-4P	15.0	$\pm 20\%$	0.580	0.37	0.57
YC4310-220M-4P	22.0	$\pm 20\%$	0.801	0.32	0.46
YC4310-330M-4P	33.0	$\pm 20\%$	1.313	0.25	0.35
YC4310-470M-4P	47.0	$\pm 20\%$	1.793	0.22	0.30

※ Marking : Inductance Code

※ GENERAL SPECIFICATION:

- $|\Delta L/L_{0A}| \leq 10\%$, $\Delta L = L_{IDC} - L_{0A}$
or $\Delta T \leq 40^\circ\text{C}$ rise at IDC.
- Operating temperature : $-40^\circ\text{C} \sim +85^\circ\text{C}$
- Resistance to solder heat : 260°C . 10 SEC.
- Test Freq. : 100KHz / 0.1V.