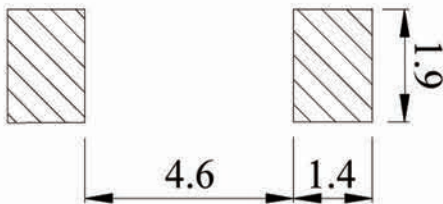
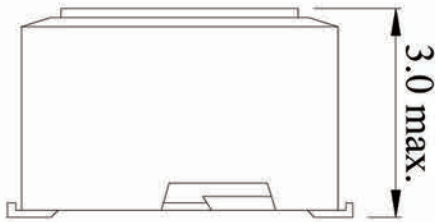
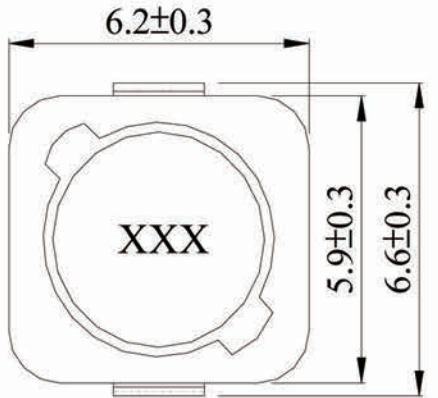




【YCRH62B-SERIES】

DIMENSIONS & RECOMMENDED



Unit: mm

SELECTION GUIDE FOR STANDARD COILS

SDE Part Number	Inductance (μH)	Tolerance (%)	DC Resistance (Ω) Max	Inductance Decrease Current (A) Max
YCRH62B - 2R9N	2.9	± 30%	0.068	1.94
YCRH62B - 3R3N	3.3	± 30%	0.075	1.80
YCRH62B - 4R0N	4.0	± 30%	0.080	1.63
YCRH62B - 4R7N	4.7	± 30%	0.090	1.55
YCRH62B - 5R5N	5.5	± 30%	0.096	1.40
YCRH62B - 6R3N	6.3	± 30%	0.100	1.30
YCRH62B - 7R1N	7.1	± 30%	0.110	1.22
YCRH62B - 8R0N	8.0	± 30%	0.120	1.15
YCRH62B - 100M	10.0	± 20%	0.150	1.10
YCRH62B - 120M	12.0	± 20%	0.200	1.00
YCRH62B - 150M	15.0	± 20%	0.230	0.90
YCRH62B - 180M	18.0	± 20%	0.270	0.80
YCRH62B - 220M	22.0	± 20%	0.340	0.74
YCRH62B - 270M	27.0	± 20%	0.380	0.66
YCRH62B - 330M	33.0	± 20%	0.450	0.59
YCRH62B - 390M	39.0	± 20%	0.490	0.54
YCRH62B - 470M	47.0	± 20%	0.690	0.50
YCRH62B - 560M	56.0	± 20%	0.780	0.46
YCRH62B - 680M	68.0	± 20%	1.070	0.42
YCRH62B - 820M	82.0	± 20%	1.210	0.38
YCRH62B - 101M	100.0	± 20%	1.390	0.34
YCRH62B - 121M	120.0	± 20%	1.900	0.31
YCRH62B - 151M	150.0	± 20%	2.180	0.28
YCRH62B - 181M	180.0	± 20%	2.770	0.26
YCRH62B - 221M	220.0	± 20%	3.120	0.23
YCRH62B - 271M	270.0	± 20%	4.380	0.22
YCRH62B - 331M	330.0	± 20%	4.940	0.19

※ FEATURES

- Applications : DC to DC converters for VTR, OA equipment, LCD television set, notebook, portable communication equipments

※ GENERAL SPECIFICATION:

- Inductance drop =25% typ. at IDC.
- $\Delta T=40^{\circ}\text{C}$ rise at IDC.
- Operating Temperature : $-40^{\circ}\text{C} \sim +85^{\circ}\text{C}$
- Test Freq. : 1KHz / 0.25V.