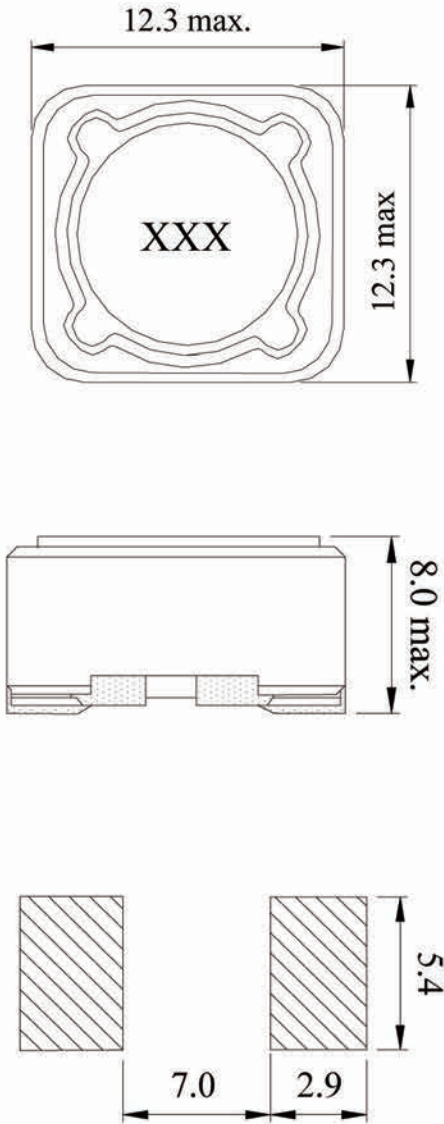




# 【 YCRH127-SERIES 】

## DIMENSIONS & RECOMMENDED



Unit: mm

## SELECTION GUIDE FOR STANDARD COILS

SDE Part Number	Inductance (μH)	Tolerance (%)	DC Resistance (Ω) Max	Inductance Decrease Current (A) Max
YCRH127 - 1R2N	1.2	± 30%	0.0070	9.80
YCRH127 - 2R4N	2.4	± 30%	0.0115	8.00
YCRH127 - 3R5N	3.5	± 30%	0.0135	7.50
YCRH127 - 4R7N	4.7	± 30%	0.0158	6.80
YCRH127 - 6R1N	6.1	± 30%	0.0176	6.60
YCRH127 - 7R6N	7.6	± 30%	0.0200	5.90
YCRH127 - 100M	10.0	± 20%	0.0216	5.40
YCRH127 - 120M	12.0	± 20%	0.0243	4.90
YCRH127 - 150M	15.0	± 20%	0.0270	4.50
YCRH127 - 180M	18.0	± 20%	0.0392	3.90
YCRH127 - 220M	22.0	± 20%	0.0432	3.60
YCRH127 - 270M	27.0	± 20%	0.0459	3.40
YCRH127 - 330M	33.0	± 20%	0.0648	3.00
YCRH127 - 390M	39.0	± 20%	0.0729	2.75
YCRH127 - 470M	47.0	± 20%	0.1000	2.50
YCRH127 - 560M	56.0	± 20%	0.1100	2.35
YCRH127 - 680M	68.0	± 20%	0.1400	2.10
YCRH127 - 820M	82.0	± 20%	0.1600	1.95
YCRH127 - 101M	100.0	± 20%	0.2200	1.70
YCRH127 - 121M	120.0	± 20%	0.2500	1.60
YCRH127 - 151M	150.0	± 20%	0.2800	1.42
YCRH127 - 181M	180.0	± 20%	0.3500	1.30
YCRH127 - 221M	220.0	± 20%	0.3900	1.16
YCRH127 - 271M	270.0	± 20%	0.5600	1.06
YCRH127 - 331M	330.0	± 20%	0.6400	0.95
YCRH127 - 391M	390.0	± 20%	0.7000	0.88
YCRH127 - 471M	470.0	± 20%	0.9800	0.79
YCRH127 - 561M	560.0	± 20%	1.0700	0.73
YCRH127 - 681M	680.0	± 20%	1.4600	0.67
YCRH127 - 821M	820.0	± 20%	1.6400	0.60
YCRH127 - 102M	1000.0	± 20%	1.8200	0.55

### ※ FEATURES

- Applications : DC to DC converters for VTR, OA equipment, LCD television set, notebook, portable communication equipments

### ※ GENERAL SPECIFICATION:

- Inductance drop =25% typ. at IDC.
- $\Delta T=40^{\circ}\text{C}$  rise at IDC.
- Operating Temperature :  $-40^{\circ}\text{C} \sim +85^{\circ}\text{C}$
- Test Freq. : 1KHz / 0.25V.