

Flyback Transformer

- Flyback transformer for the Linear Technology LT3751 Capacitor Charger Controller
- 120 – 377 V input; up to 500 V output
- 3000 Vrms isolation from primary to secondary windings

Core material Ferrite

Terminations RoHS tin-silver (96.5/3.5) over tin over nickel over phos bronze. Other terminations available at additional cost.

Weight 37.3 g

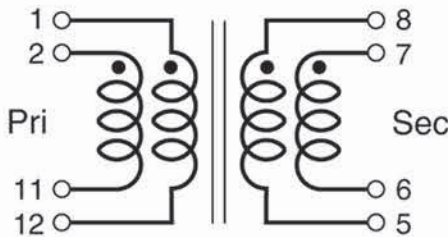
Ambient temperature -40°C to +85°C

Storage temperature Component: -40°C to +85°C.
Tray packaging: -40°C to +80°C

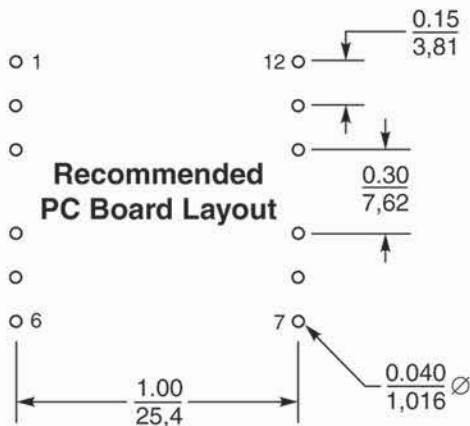
Resistance to soldering heat Max three 40 second reflows at +260°C, parts cooled to room temperature between cycles

Moisture Sensitivity Level (MSL) 1 (unlimited floor life at <30°C / 85% RH)

Part number	Inductance at 0A ¹ ±10% (µH)	Inductance at I _{pk} ² min (µH)	DCR max (Ohms) ³		Leakage inductance ⁴ max (µH)	Turns ratio ⁵ pri:sec	I _{pk} ² (A)	Volt-time product typ (V µsec)
			pri	sec				
YCPQ2625-1	125	112.5	0.203	1.40	9.17	1:3	5.0	625



Primary windings and secondary windings to be connected in parallel on PC board.



Dimensions are in $\frac{\text{inches}}{\text{mm}}$

Inductance is measured at 100 kHz, 0.1 Vrms.

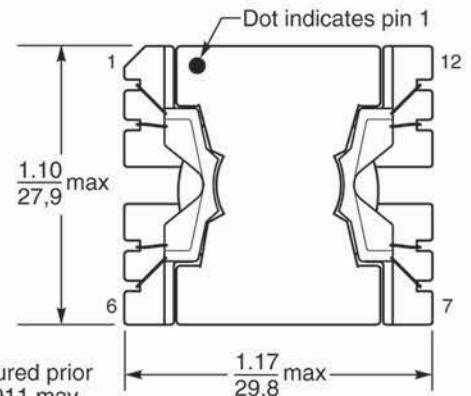
Peak primary current drawn at minimum input voltage.

DCR is with the windings connected in parallel.

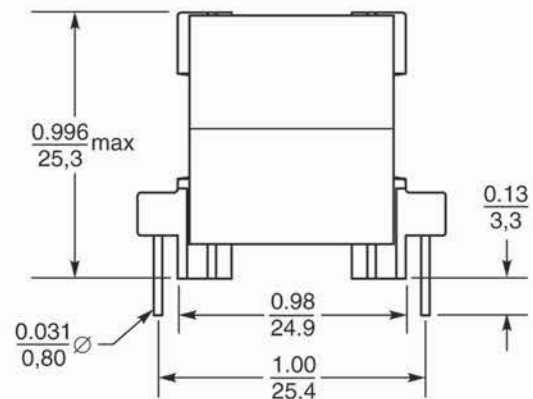
Leakage inductance is for both windings of the primary with the secondary windings shorted.

Turns ratios are with the primary and secondary windings connected in parallel.

Electrical specifications at 25°C.



Parts manufactured prior to December 2011 may be marked differently.





SWITCHING TRANSFORMERS

YCPQ SERIES

ELECTRICAL CHARACTERISTICS

FEATURES:

- Design in the fittest shape
- Applied in the power: (50W-1kW)100kHz
- Cut down installation cubage with multi-pluge and boobins, easily wire connection to meet the request
- Low leakage

COMMON APPLICATIONS:

- Drive transformers
- Main transformers
- Smoothing chokes
- Switching power supplies
- AC-DC, DC-DC converters

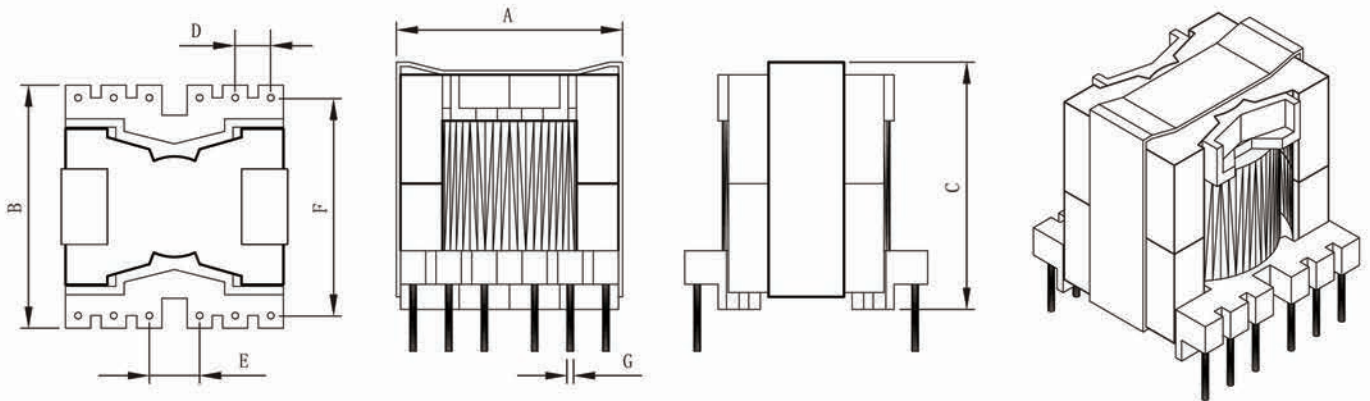
OPTIONS:

- Bulk packaging is standard
- Custom design available

Part No.	Type	No. of Terminal pins	Dimensions (mm)								Max. output (VA)
			Max	Max	Max	±0.3	±0.4	±0.5	±0.1		
			A	B	C	D	E	F	G		
YCPQ 2020-A	V	14 (6+8)	24.0	24.0	22.0	3.8/2.5	5.1	20.3	0.6	92	
YCPQ 2620-A	V	12	28.0	32.0	22.0	3.8	7.6	25.4	0.6	170	
YCPQ 2620-B	V	12	28.0	32.0	21.0	3.8	7.6	25.4	0.6	170	
YCPQ 2625-A	V	12	28.5	31.0	28.0	3.8	7.5	25.5	0.7	195	
YCPQ 3220-A	V	12	33.0	35.0	24.0	5.0	7.5	30.0	0.8	232	
YCPQ 3220-B	V	12	33.0	36.0	22.0	5.1	7.6	30.5	0.8	232	
YCPQ 3225-A	V	12	35.5	35.0	27.0	5.0	7.4	30.0	0.8	280	
YCPQ 3230-A	V	12	33.0	36.0	32.0	5.05	7.6	30.3	0.8	331	
YCPQ 3535-A	V	12	37.0	41.0	38.5	5.0	10.0	35.0	0.8	452	
YCPQ 4040-A	V	12	41.0	44.0	43.0	5.0	15.1	38.0	0.8	596	
YCPQ 5050-A	V	12	52.0	53.0	54.0	7.62	15.24	45.72	1.2	1045	

Note: The output power is only for forward model and the frequency at 100kHz

PHYSICAL CHARACTERISTICS



Type V